



**FRESENIUS
KABI**

caring for life

Freka[®] Belly Button

Percutaneous low profile feeding tube
for long-term enteral nutrition



**More Safety with
Seldinger technique**

Freka® Belly Button

Percutaneous low profile feeding tube for long-term enteral nutrition

Small optimised design

For more discretion



Anti-Reflux valve

To prevent backflow



Medical grade silicone



Flat distal opening

To avoid mucosa irritation



Introducer*

To stiffen the shaft during placement and to give guidance for the Seldinger wire

* Available in Comfort Kit



More safety for a successful placement

... with Seldinger technique as a standard component of the Comfort kit.

- Placement is a safe procedure
- With the Seldinger guidance the Freka® Belly Button find its way more easily, especially in stoma tracts, which might be:
 - Crooked
 - Very narrow or very long
 - With risk of fistula formation, like in cystic fibrosis
- Stoma tract penetrations can be avoided.
- The soft tip of the Seldinger wire prevents from mucosal irritations. The use is recommended in Home Care and Hospitals.

Freka® Belly Button

Percutaneous low profile feeding tube for long-term enteral nutrition

Small optimised design

For more discretion



Anti-Reflux valve

To prevent backflow



Medical grade silicone



Flat distal opening

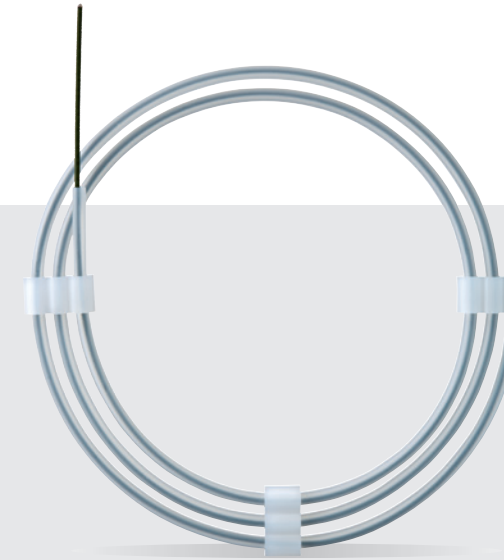
To avoid mucosa irritation



Introducer*

To stiffen the shaft during placement and to give guidance for the Seldinger wire

* Available in Comfort Kit



Seldinger wire with a soft tip

For a safe guidance during placement

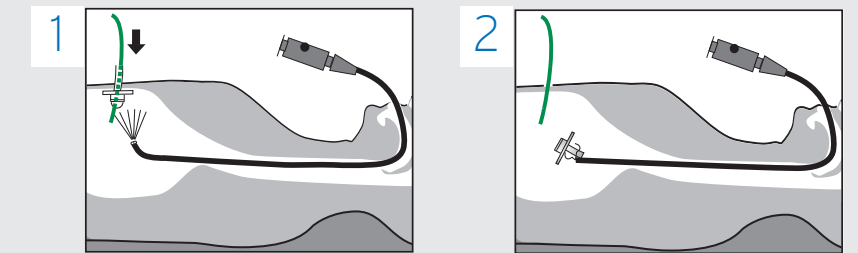


Placement method

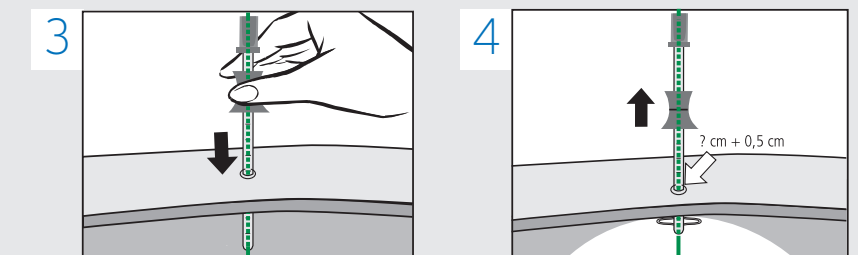
Freka® Belly Button

with Seldinger technique

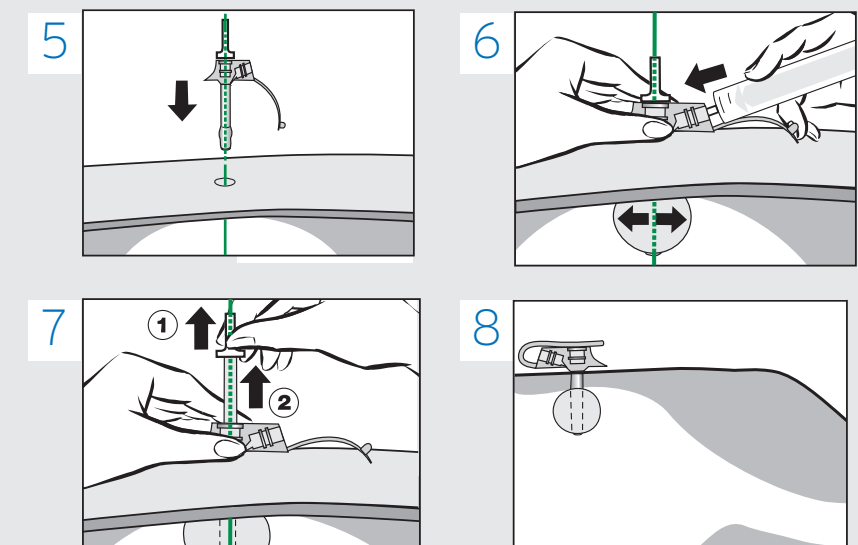
Introduction of Seldinger wire in the existing feeding tube.
Removal of existing feeding tube.



Determination of stoma tract length with stoma measuring device over the Seldinger wire:



Placement of Freka® Belly Button over the Seldinger wire:



Ordering information

| | FR-size/ Shaft length | FR 12 | FR 14 | FR 16 | FR 18 | FR 20 | FR 24 |
|---|-----------------------------|---------|---------|---------|---------|---------|---------|
| Freka® Belly Button Comfort Kit | 1.0 cm | 7751363 | 7751373 | 7751383 | 7751394 | 7751405 | 7751416 |
| Containing: | 1.5 cm | 7751364 | 7751374 | 7751384 | 7751395 | 7751406 | 7751417 |
| 1 Freka® Belly Button | 2.0 cm | 7751365 | 7751375 | 7751385 | 7751396 | 7751407 | 7751418 |
| 1 Introducer with Seldinger guidance | 2.5 cm | 7751366 | 7751376 | 7751386 | 7751397 | 7751408 | 7751419 |
| 1 Seldinger wire | 3.0 cm | 7751367 | 7751377 | 7751387 | 7751398 | 7751409 | 7751420 |
| 1 ENFit syringe, 60 ml | 3.5 cm | 7751368 | 7751378 | 7751388 | 7751399 | 7751410 | 7751422 |
| 1 Syringe for balloon filling | 4.0 cm | 7751369 | 7751379 | 7751389 | 7751400 | 7751413 | 7751423 |
| 1 Lubricant | 4.5 cm | 7751370 | 7751380 | 7751390 | 7751403 | 7751414 | 7751424 |
| 2 Gauze Pads | 5.0 cm | 7751372 | 7751382 | 7751393 | 7751404 | 7751415 | 7751425 |
| 1 Freka® Button Extension Set 1, ENFit (with ENFit and angled connector) | | | | | | | |
| 1 Freka® Button Extension Set 2, ENFit (with ENFit and straight connector) | | | | | | | |

| | FR-size/ Shaft length | FR 12 | FR 14 | FR 16 | FR 18 | FR 20 | FR 24 |
|--------------------------------------|-----------------------------|---------|---------|---------|---------|---------|---------|
| Freka® Belly Button Basic Kit | 1.0 cm | 7751612 | 7751622 | 7751632 | 7751642 | 7751652 | 7751662 |
| Containing: | 1.5 cm | 7751613 | 7751623 | 7751633 | 7751643 | 7751653 | 7751663 |
| 1 Freka® Belly Button | 2.0 cm | 7751614 | 7751624 | 7751634 | 7751644 | 7751654 | 7751664 |
| 1 Introducer (simple) | 2.5 cm | 7751615 | 7751625 | 7751635 | 7751645 | 7751655 | 7751665 |
| 1 Syringe for balloon filling | 3.0 cm | 7751616 | 7751626 | 7751636 | 7751646 | 7751656 | 7751666 |
| 1 Lubricant | 3.5 cm | 7751617 | 7751627 | 7751637 | 7751647 | 7751657 | 7751667 |
| 2 Gauze Pads | 4.0 cm | 7751618 | 7751628 | 7751638 | 7751648 | 7751658 | 7751668 |
| | 4.5 cm | 7751619 | 7751629 | 7751639 | 7751649 | 7751659 | 7751669 |
| | 5.0 cm | 7751620 | 7751630 | 7751640 | 7751650 | 7751660 | 7751670 |

| | Packaging | Art.No. |
|---|-----------|----------------|
| Freka® Button Extension Set 1, 30 cm, angled, ENFit | 10 x 1 | 7981397 |
| Freka® Button Extension Set 2, 30 cm, straight, ENFit | 10 x 1 | 7981398 |
| Freka® Stoma Measuring Device (for FR > 12) | 1 x 1 | 7750921 |
| Balloon Stoma Measuring Device | 1 x 1 | 102148101280AQ |